



GENERAL DESCRIPTION

An I/O interconnect system designed for portable equipment.

AVX offers this plug and socket reduced size system as a standard product. The fixed SMT socket is designed to be mounted on a PCB and housed within a portable device. The plug is designed for cable termination with options of single and double sided contacts and customizing the overmold cover or parts can be supplied as connector only for sub contract termination. The socket connector houses 16 contacts in two rows on 1.25mm pitch with a rating of 1 amp per contact. Both connectors are RoHS compliant.

APPLICATIONS

Suitable applications include:

- Cellular Phones
- Handheld Devices
- Industrial Modules
- Medical Electronics

KEY FEATURES AND BENEFITS

- No latching is required due to the click design of the contacts.
- Optional customization of the overmold cover.
- Options of single row (8 way) or dual row (16 way) plug connector.
- Compact size to optimize PCB real estate.
- Metal outer cover provides integrated PCB location and solder tab.
- Positive alignment and orientation of the plug and socket.
- 5K mating cycles and 1 amp rated.

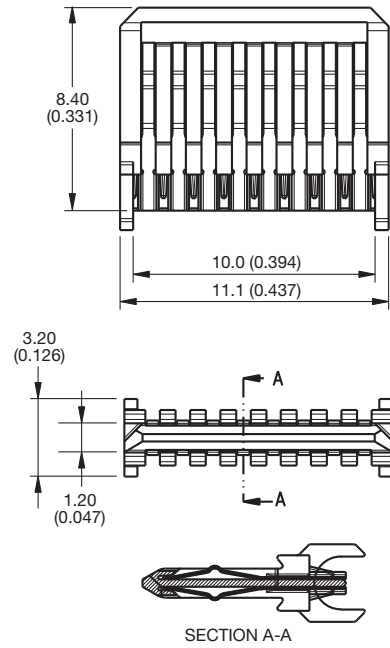
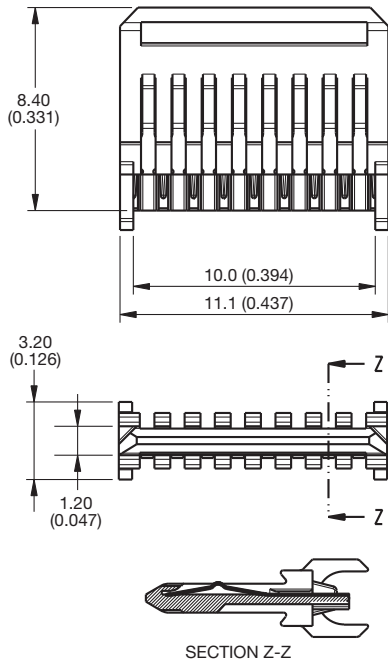


9257 Reduced Size I/O Connector

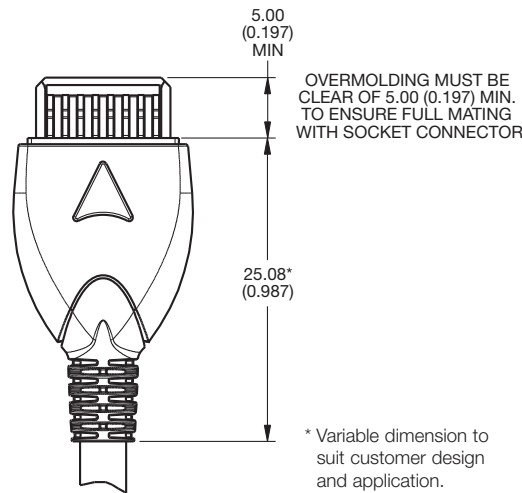


Single Sided 8 Way I/O Plug Connector

Dual Sided 16 Way I/O Plug Connector



Suggested Overmolding for Plug Connector



HOW TO ORDER

| | | | | |
|---------------------|---------------|---|---------------------|---|
| 10 | 9257 | 016 | 001 | 003 |
| | | | | |
| Prefix | Series | No of Ways | Contact | Plating Option |
| 10 = Plug Connector | | 016 = 16 way dual sided 008 = 8 way single sided | 001 = Solder Bucket | 003 = 0.8µm Selective Gold, Tin Tail |

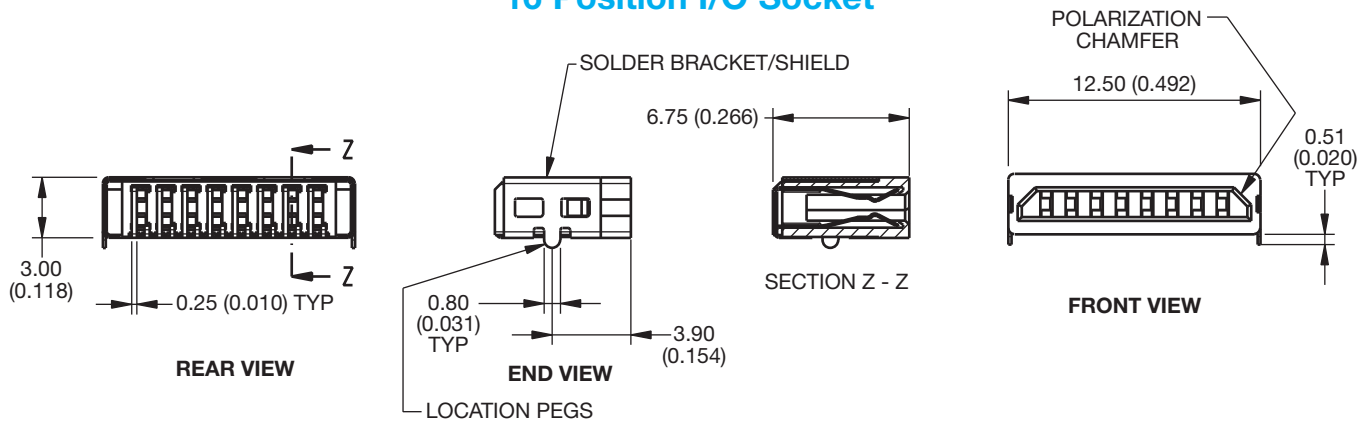
- Notes:
1. All dimensions are for reference only unless toleranced.
 2. For full product specification refer to AVX spec 201-01-089.
 3. Parts packed in tube with 50 parts per tube.



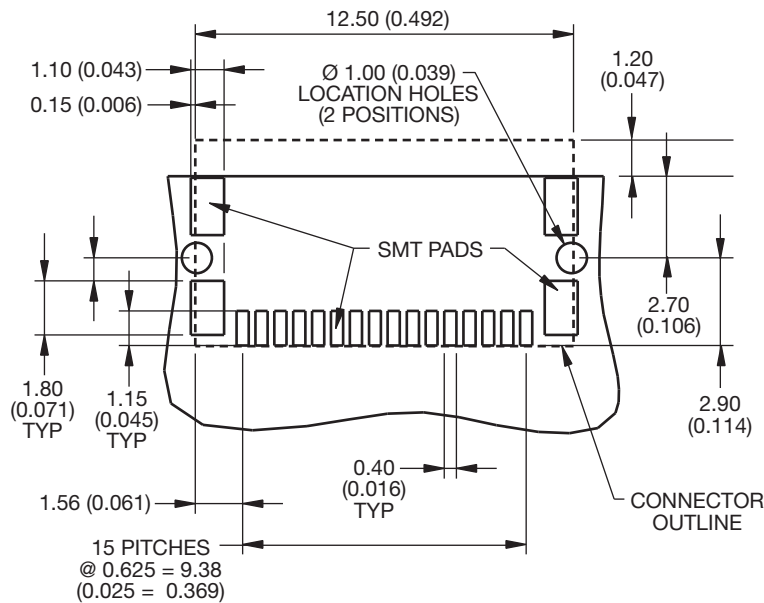
9257 Reduced Size I/O Connector



16 Position I/O Socket



PCB Layout



HOW TO ORDER

| | | | | | |
|-----------------------|-------------|------------|-----------------------|--|------------------------------------|
| 20 | 9257 | 016 | 001 | 01 | 3 |
| Prefix | Series | No of Ways | Contacts | Solder Bracket | Plating Option |
| 20 = Socket Connector | | 16 = 016 | 001 = SMT Termination | 01 = Solder Bracket with location pegs | 3 = 0.8µm Selective Gold, Tin Tail |

| Packing Details | |
|-----------------|------|
| Reel Qty. | 1100 |
| Pack Qty. | 5500 |

- Notes:
- 16 Way I/O Socket.
 - For full product specification refer to AVX spec 201-01-089.
 - General tolerance ±0.20 (0.008) unless otherwise stated.
 - SMT feet within 0.13 (0.005) coplanarity.

